

Digital indicator with relay outputs PMS-770T **NEW**



- ✓ Universal measuring input
4...20 mA, 0...20 mA or 0...10 V
- ✓ 4 relay outputs: 1 A, 230 V AC
- ✓ 4x7 mm LED display + 20-point bargraph
- ✓ Integrated power supply 24 V DC
- ✓ Fully isolated passive current output 4-20mA

Functions and use

The programmable digital indicator model PMS-770T is a panel meter for a wide range of industrial applications. Provides measurement of voltage and current process signals, analogue signal retransmission and ON/OFF relay control. The PMS-770T has a four –digit LED display (7mm high, green colour) and a 10-points three-colour bargraph. The alarm values are shown on four red diodes situated on the front panel and additionally marked on the bargraph. A multi-segment characteristic can be freely definable by the user.

The PMS-770T enables programming the following parameters:

- type of input
- measuring range on a LCD display, decimal point position
- level and individual hysteresis of action of relays
- relays operation mode: NO or NC
- user's characteristic (segmental approximation, max. 10 points)
- filtering time-constant
- range of analog output signal
- bargraph mode: one or three colours

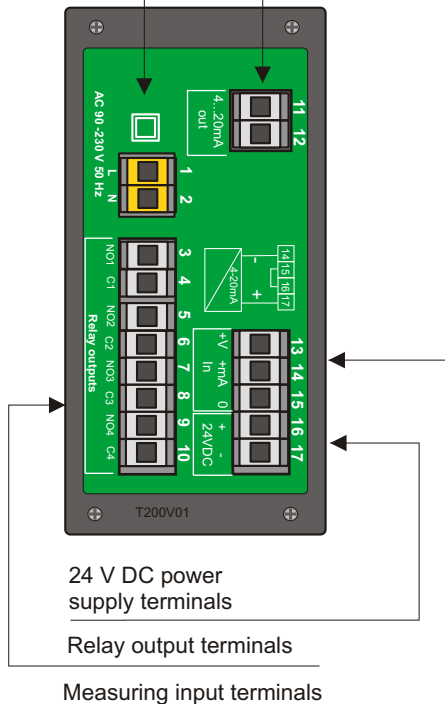
Outer dimensions:

width **48**, height **96**, depth **96**

Dimensions of panel cut-out:
45 × 91.8

Current output terminals

Power supply
(Mains)



24 V DC power
supply terminals

Relay output terminals

Measuring input terminals

Rear view of meter

Technical data

Input signal	0/4...20 mA or 0...10 V
Display range	-999 to 9999
Display error	±0.1%
Relay outputs	4 × 1 A/250 V AC, NO
Power supply	90 - 260 V AC
Integrated power supply	24 V DC stab., max. 25 mA
Operating temperature range	5...40°C
Storage temperature	-10...70°C
Fully isolated passive output	4-20mA
Casing	panel type, IP-54 (from the front)

Ordering procedure

PMS-770T