

Digital indicators with relay outputs

PMS-920, PMT-920

- ✓ 4...20 mA or 0...20 mA current input (PMS-920)
0...5V, 1...5V, 0...10V, 2...10V voltage input (PMS-920)
Pt100 – resistant input (PMT-920)
- ✓ Two settable relay outputs: 1 A, 230 V AC
- ✓ Power supply 230 V AC (optional 24V AC/DC)
- ✓ Integrated power supply 24 V DC

Functions and use

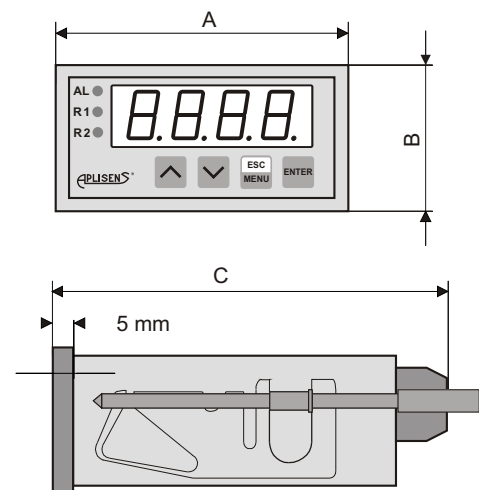
Programmable PMS-920, PMT-920 indicators are applicable to cooperation with the transmitters having a standard current or voltage output signal. Two alarm values controlling the relay outputs can be programmed. Diodes on the front of the indicator indicate the exceeding of the alarm values. The relay outputs have a pair of operating contacts. The transmitter can be powered directly from the indicator with a built-in auxiliary 24 V DC supply unit.

PMS-920 and PMT-920 meters enables the following parameters to be programmed:

- ◆ type of input signal: 4...20 mA or 0...20 mA, 0...5 V, 0...10 V, 1...5 V or 2...10 V, Pt100
- ◆ measured value display range and decimal point position;
- ◆ level and hysteresis of action of relays;
- ◆ state of contact during alarm;
- ◆ password restricting access to the programming menu;
- ◆ display filtering level.
- ◆ Colour of display: red, green.



External dimensions



PMS-920/ PMT-920:

(A=72mm , B=36mm , C=100mm)
- Dimensions of panel cut-out 66,5 × 32,5mm-

PMS-920/20

(A=96mm , B=48mm , C=100mm)
- Dimensions of panel cut-out 90,5 × 43mm-

PMS-920/38

(A=144mm , B=72mm , C=100mm)
- Dimensions of panel cut-out 138,5 × 67mm-

	Technical data
Input signal	4...20 mA or 0...20 mA, 0...5 V, 0...10 V, 1...5 V or 2...10 V Pt100
voltage option	
Resistant option	
Display range	-999 to 9999
Display error	0.25% ± 1 digit
Relay outputs	2 (normally open contacts) 1 A, 250 VAC
Power supply	85 ÷ 260V AC/DC
Special version:	24 V AC/DC
Integrated power supply:	24 V DC stab., max. 100 mA
Operating temperature	0...50°C
Storage temperature	-10...70°C
Display size:	LED 4x13mm
Special version:	LED 4x20mm (PMS-920/20) LED 4x38mm (PMS-920/38)
Casing	panel type, IP 40 (from the front) IP 20 (from the terminals)

Ordering procedure

PMS-920 / _____

PMT-920 / _____

E – version without relay outputs
20- display 4x20mm, housing 96x48x100mm
38- display 4x38mm, housing 144x72x100mm

E – version without relay outputs