

ADF

P300, 90 – 360 A Active Dynamic Filter



- High Performance and Reliability
- Modular and Scalable Design 90 – 360 A
- Advanced Digital Control
- Easy Installation
- Insensitive to Network Conditions
- Harmonic Elimination
- Total Power Factor Correction
- Active Load Balancing
- Dynamic VAR compensation
- Sensorless operation
- Non-overloadable
- Available in 208 – 480 V and 480 – 690 V versions



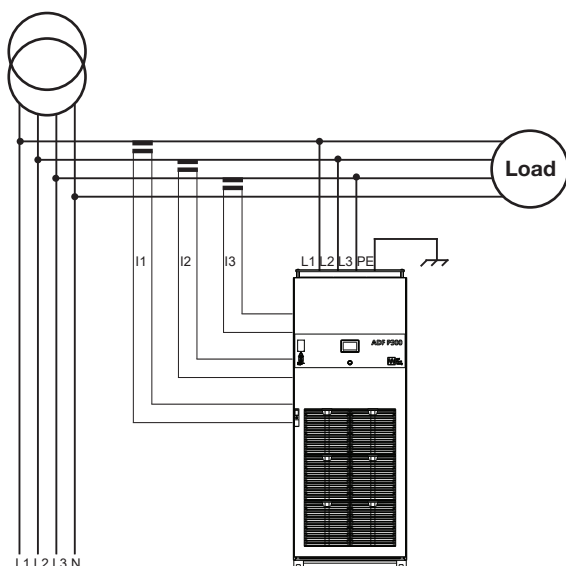
Technical Specifications

Model	ADF P300-120/480 (ADF P300-90/690)	ADF P300-240/480 (ADF P300-180/690)	ADF P300-360/480 (ADF P300-270/690)
Rated power *	83 / 100 / 94 / 108 kVA	166 / 200 / 187 / 215 kVA	249 / 299 / 281 / 323 kVA
Compensation current capacity at 50/60 Hz	120 A _{RMS} (90 A _{RMS})	240 A _{RMS} (180 A _{RMS})	360 A _{RMS} (270 A _{RMS})
System voltage	480 V (208 – 480 V), 690 V (480 – 690 V)		
Nominal frequency	50/60 Hz ± 2 %		
Number of phases	3 phase 3 wire		
Connection type	3 phase without neutral (TN, TT, IT**)		
Harmonic current compensated	individual compensation up to 49 th order		
Rate of harmonic reduction	better than 98 %		
Current compensation of cos φ	up to 1.0		
Expandability	ADF P300 units can be used in parallel		
Response time	< 1 ms		
Power dissipation 480 V (690 V)	< 2725 W (< 2969 W)	< 5325 W (< 5813 W)	< 7925 W (< 8657 W)
Maximum air flow requirement	600 m ³ /h	1200 m ³ /h	1800 m ³ /h
Noise level	< 70 dB(A)		
Environment	0 to 95 % RH non-condensing, max altitude 1000 m without derating		
Operating temperature	0 to 50 °C, up to 40 °C without derating		
Dimensions	800 x 2155 x 610 mm (W x H x D)		
Weight 480 V (690 V)	335 kg (351 kg)	472 kg (495 kg)	609 kg (639 kg)
Cabinet color	cabinet RAL 7035 (light grey), base RAL 7022 (umbra grey)		
Protection class	IP21 according to IEC 529		
Environmental conditions	chemical 3C3, mechanical 3S3		
Electromagnetic compatibility	EN55011, Class B		EN55011, Class A
Certificates		CE, ABS	

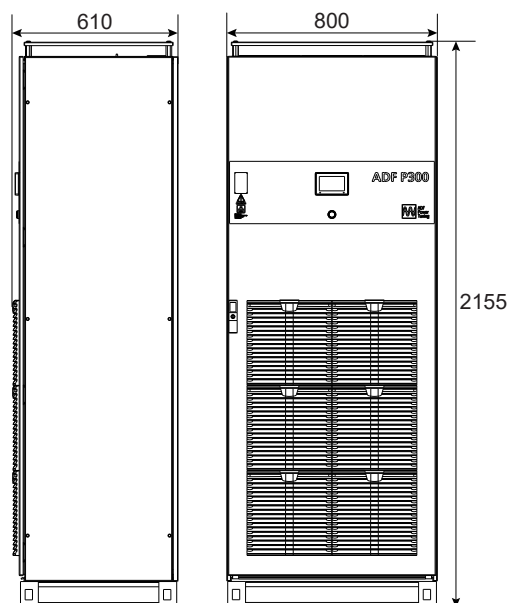
* Compensation power at 400 V / 480 V / 600 V / 690 V nominal voltage

** Option

Connection Diagram (example)



Dimensions (mm)



Comsys AB, Fältspatvägen 4, SE-224 78 Lund, Sweden
Tel +46 10 209 6800, Fax +46 10 209 6805
info@comsys.se www.comsys.se

Partner:

zeben.
sistemas eletrónicos

Zeben – Sistemas Electrónicos Lda.
Trav. de Baixo nº5
4935-571 Castelo do Neiva
Viana do Castelo (Portugal)
Tel: +351 253 818 850
Fax: +351 253 818 851
info@zeben.pt
www.zeben.pt