

PRESSURE TRANSMITTER

AQ-T1100/0...10 bar/4...20mA/G1/4"



Product Features

- Ceramic piezo-resistive sensing element
- Measuring range: 0~5...50bar Gauge
- Accuracy: $\pm 1.0\%$ F.S
- Output: 4~20mA
- Electrical connection: Packard Metri-Pack
- Pressure connection: G1/4、7/16-20UNF
- High accuracy and high cost performance
- Suitable for mass production

Applications

- General pressure measurement
- Air compressor
- Machinery manufacturing
- Measurement and control technology
- Hydraulic and pneumatic technology



Product Description

Designed for general industrial application, AQ-T1100 series pressure transmitters feature compact structure, stable quality and high cost performance.

AQ-T1100 series pressure transmitters are widely used in air compressor industry. We can supply you in short term products with different pressure units and pressure connections to meet your specific applications.

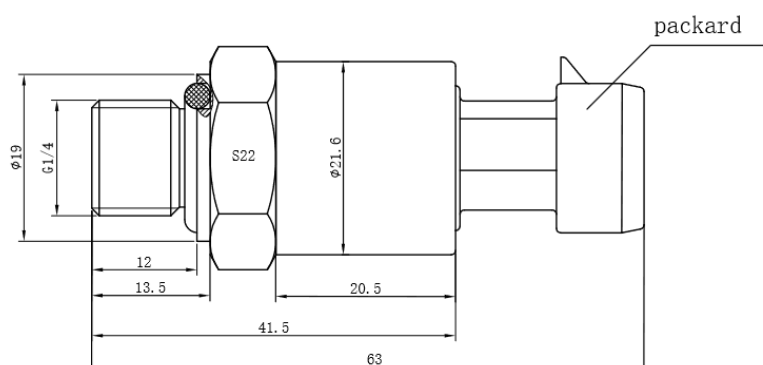
Performance Parameters

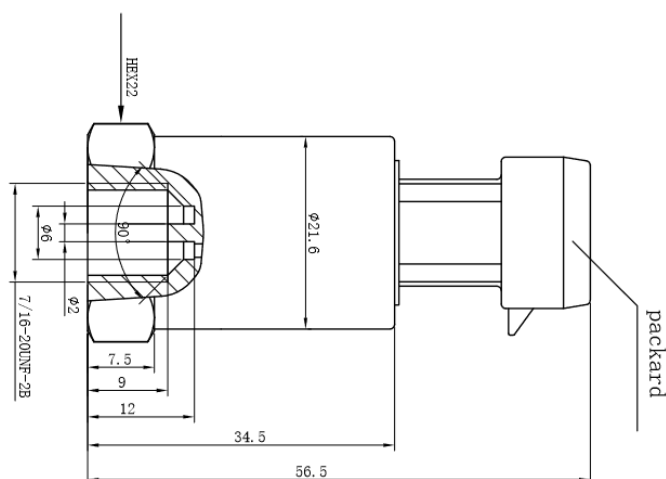
Temperature: 25°C, Power: 12VDC, RH: 45%~75%, Atmospheric pressure: 86KPa~106KPa

Pressure Range	0~5...50bar Gauge
Output Signal	4~20mA
Power supply (U+)	10~30VDC
Output Load	$\leq (U+ - 10) / 0.023\Omega$ (MAX: 600 Ω)
Over Voltage	30VDC
Reverse Voltage	-30VDC
Accuracy at Room Temperature	$\pm 1.0\%$ F.S.
Medium Temperature	-30°C~120°C
Ambient Temperature	-20°C~85°C

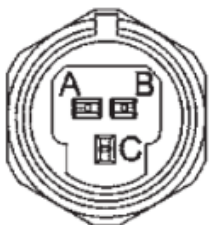
Storage Temperature	-40°C~100°C
Long-term Stability	±0.5%F.S / year
Settling Time	(10%~90%) ≤10ms
Overload Pressure	≥ 150%F.S
Burst Pressure	≥ 200%F.S
Pressure Connection	G1/4、7/16-20UNF
Electrical Connection	Packard Metri-Pack
Insulation Resistance	≥ 100MΩ@100VDC
Insulate Intensity	100VDC@60S, no arc or breakdown
Vibration Resistance	10g, 5~2000Hz
Shock Resistance	20g, 11ms half sine
Ingress Protection	≥ IP65
Sealings Materialsfor Wetted Part	NBR
Housing Material	SS304

Structures and Dimensions





Wiring Definition

Packard Metri-Pack	Pin	Definition
	A	Shield (PE)
	B	Power Supply+ (U+)
	C	Current Output (Io)

Notice:

- The pressure transmitter must be used in the medium that is non-corrosive to the seal material and the housing material.
- In case the pressure guiding hole of the transmitter is blocked, it is forbidden to use sharp tools to clear it. Instead, one should remove the transmitter from the system, immerse the pressure guiding hole part in the liquid which can dissolve the blockage, and then the blockage will flow out easily.
- It's prohibited to open the transmitter by users for calibration or repair.
- Please contact us if you're not sure whether the transmitter is suitable for the medium to be measured.
- The transmitter should be installed in a location that is not easily bumped or stepped on.
- Exceeding of the transmitter overload pressure may cause permanent damage.
- Where lightning may occur, customers should consider lightning protection measures.