

TECHNICAL SPECIFICATIONS

Electrical features

Power supply	D battery 1.2-3.6 V
Power consumption	3.6 V: 0.6 mA 5Ah/year

Communication

Type of communication	IEEE 802.15.4. ISM 2.4 GHz
Transmit power	10 mW (10 dBm)
Receiver Sensitivity	-100 dBm
Range	Indoor/urbane: 60 m max., 30 m typically Outdoor/direct line of sight: 750 m max, 200 m typically
Transmission period	2 s

Measurements

Range	4-180 km/h
Starting speed	8 km/h
Survival speed	200 km/h
Accuracy	1 km/h (4-15 km/h) 3% (15-180 Km/h)

General Features

Sensor material	PA + FG
Bearings	Stainless steel X65Cr13
Bracket material	Stainless steel AISI 304
Weight (with fixed bracket)	680 g
Weight (with self-leveling bracket)	900 g
Storage temperature	-35 °C +85 °C
Operating temperature (with no ice)	-20 °C +60 °C
Protection	IP65 (UNE 20324:1993)

REFERENCES AND ACCESSORIES

References

0103012001	SET ANEMO4403 V3 + RF MODULE V3 FB + WM44-P V3 RF 24Vdc
0103012002	SET ANEMO4403 V3 + RF MODULE V3 FB + WM44-P V3 RF 230Vac
0103012003	SET ANEMO4403 V3 + RF MODULE V3 FB + WM44-EVO11 V3 RF IP65 24Vdc
0103012004	SET ANEMO4403 V3 + RF MODULE V3 FB + WM44-EVO11 V3 RF IP65 230Vac
0103012005	SET ANEMO4403 V3 + RF MODULE V3 F/SLB + WM44-P V3 RF 24Vdc
0103012006	SET ANEMO4403 V3 + RF MODULE V3 F/SLB + WM44-P V3 RF 230Vac
0103012007	SET ANEMO4403 V3 + RF MODULE V3 F/SLB + WM44-EVO11 V3 RF IP65 24Vdc
0103012008	SET ANEMO4403 V3 + RF MODULE V3 F/SLB + WM44-EVO11 V3 RF IP65 230Vac
0103012009 ¹	SET ANEMO4403 V3 + RF MODULE V3 FB + WM44-P V3 RF RP-SMA 24Vdc
0103012010 ¹	SET ANEMO4403 V3 + RF MODULE V3 FB + WM44-P V3 RF RP-SMA 230Vac
0103012011 ¹	SET ANEMO4403 V3 + RF MODULE V3 FB + WM44-EVO11 V3 RF RP-SMA IP65 24Vdc
0103012012 ¹	SET ANEMO4403 V3 + RF MODULE V3 FB + WM44-EVO11 V3 RF RP-SMA IP65 230Vac
0103012013 ¹	SET ANEMO4403 V3 + RF MODULE V3 F/SLB + WM44-P V3 RF RP-SMA 24Vdc
0103012014 ¹	SET ANEMO4403 V3 + RF MODULE V3 F/SLB + WM44-P V3 RF RP-SMA 230Vac
0103012015 ¹	SET ANEMO4403 V3 + RF MODULE V3 F/SLB + WM44-EVO11 V3 RF RP-SMA IP65 24Vdc
0103012016 ¹	SET ANEMO4403 V3 + RF MODULE V3 F/SLB + WM44-EVO11 V3 RF RP-SMA IP65 230Vac

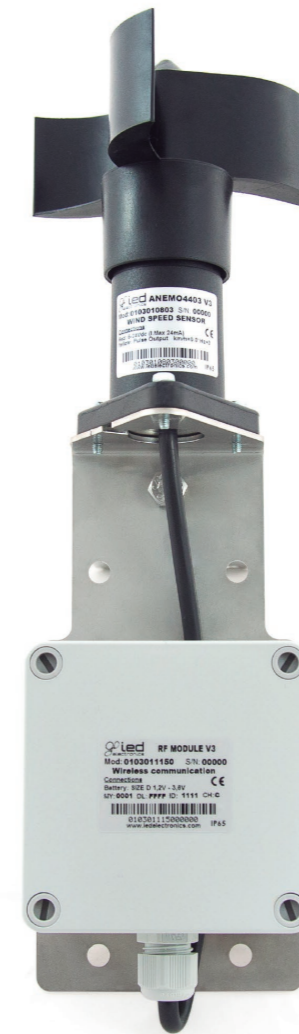
¹Display with external antenna connector (antenna included in the reference)

Accessories

0103010507 ²	Magnets for flat ferromagnetic surfaces. This fixation system can support up to 90 kg
0103010508	2 steel clamps kit that can be fixed to irregular parts measuring up to 63 x 45 mm

² 10 unit minimum order. On sale exclusively with wind sensor.

*For other references, please contact us.



Electronics at the
service of industry

ANEMO4403 V3 + RF MODULE V3 (WIRELESS)

ANEMO V3 range of IED Electronics.

Wind speed sensor designed for different industries and sectors.

ANEMO4403 V3 + RF MODULE V3 is a radio frequency anemometer designed to communicate with a WM44-P RF or a WM44-EVO11 V3 display. Several devices can communicate each other in the same area with no risk of interaction or interference. The battery's life can be up to 36 months (with ER34615, 3.6V 19Ah). Up to 12 months with an alkaline battery.

Industrial design for extreme conditions

Works with lithium or alkaline batteries

Plug&play

RF Communication, according to 802.15.4 standard, 2.4 GHz

Stainless steel bearings

Measurement range up to 180km/h



IED Electronics Solutions S.L.
Pol. Plazaola E 6, 31195 Aizoáin. Navarra (Spain)
www.iedelectronics.com
info@iedelectronics.com



Certificado E201129

APPLICATIONS

ANEMO4403 V3 + RF MODULE V3 have been designed to be used in industrial applications: cranes, solar panels, buildings, wind turbines, weather stations...

OPERATION

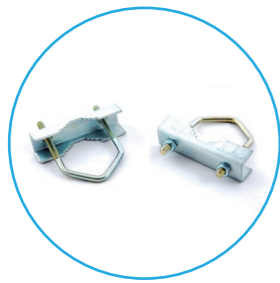
Each Anemo4403 VHR + RF MODULE is paired with a WM44-P RF or a WM44-EV011 RF. Once the battery is placed in the transmitter, it will automatically show the wind speed provided by the sensor.

Twin units communicate each other through RF IEEE 802.15.4 2.4 Ghz. They share the same DL and MY parameters but exchanged.

The wind sensor must be fixed on a vertical position.

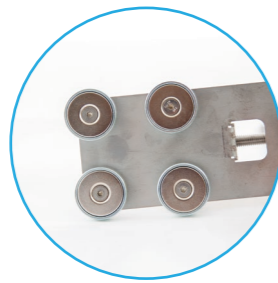
ACCESSORIES

Clamps fixation



Steel clamps that can be fixed to irregular parts measuring up to 63 x 45 mm.

Magnets fixation



Fixation magnets for flat ferromagnetic surfaces. The magnet fixation system can support up to 90 kg.

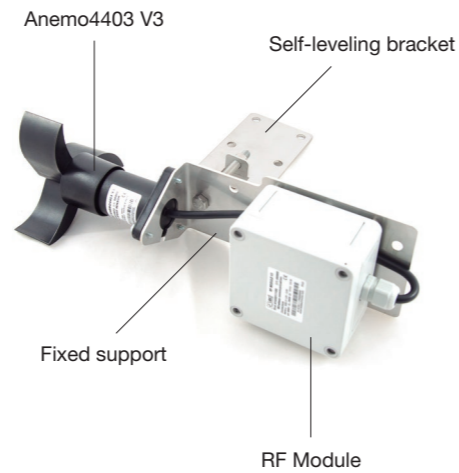
CONNECTION



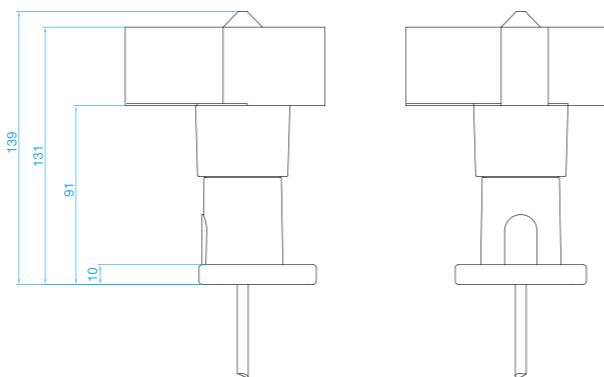
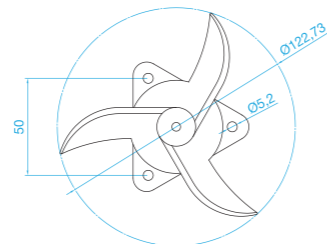
It works with a lithium or an alkaline battery.

Note: battery not included

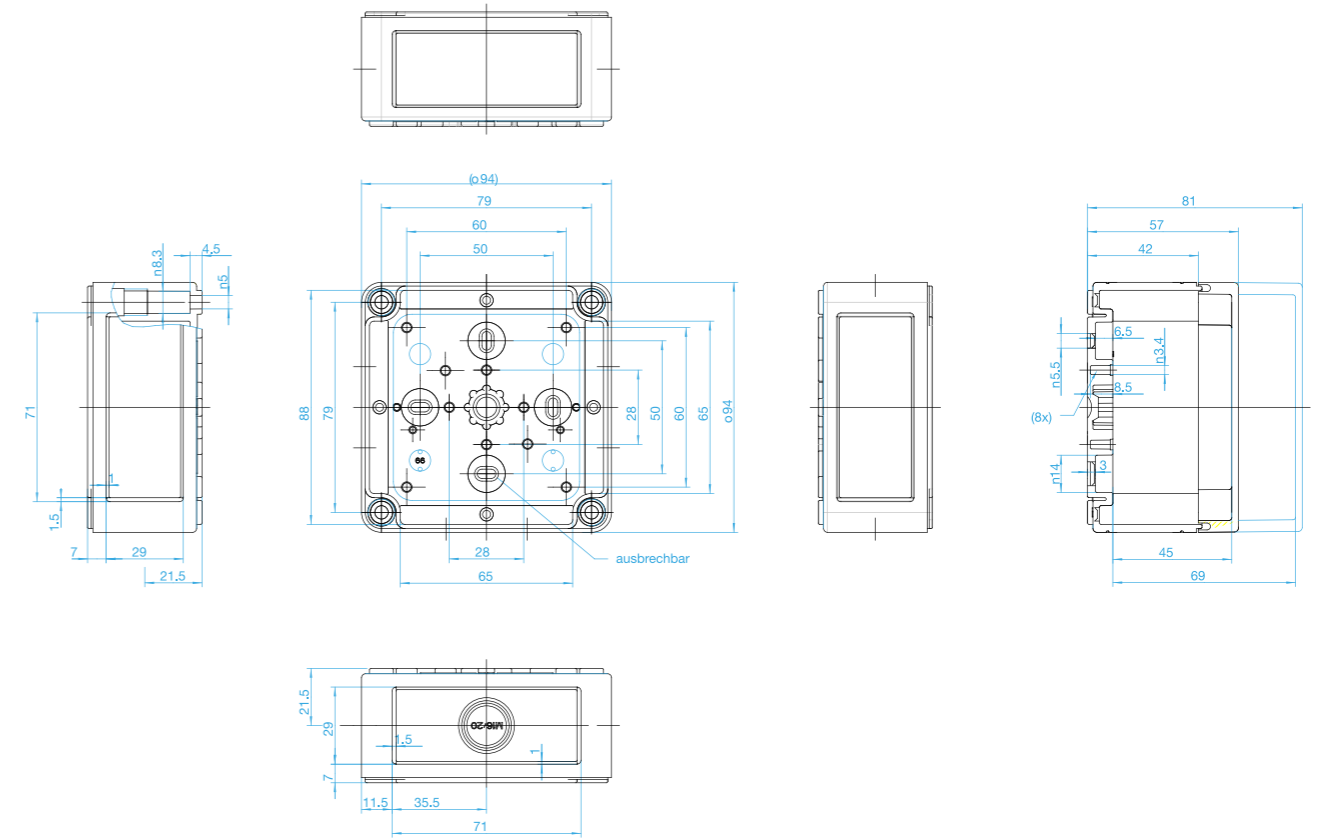
DIMENSIONS



ANEMO4403 V3

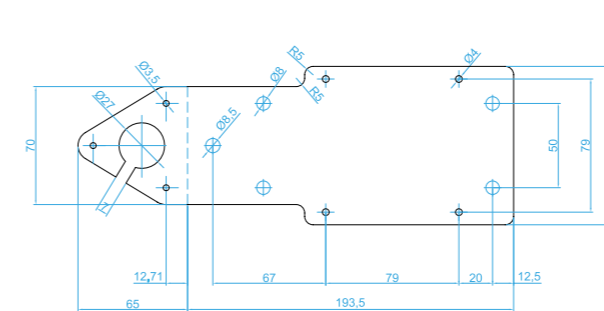


RF MODULE



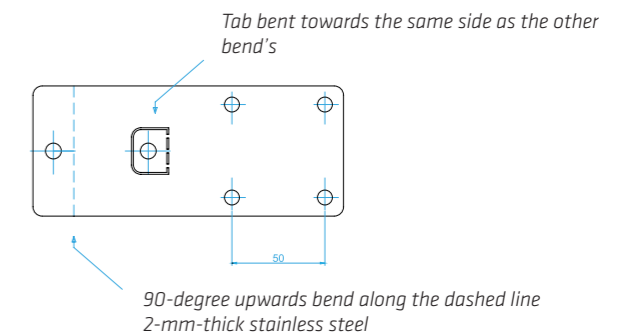
UNIVERSAL BRACKET

FIXED BRACKET



90-degree upwards bend along the dashed line
2-mm-thick stainless steel

COMPLEMENT BRACKET



90-degree upwards bend along the dashed line
2-mm-thick stainless steel