

TECHNICAL SPECIFICATIONS

Electrical features

Power supply	9-30 Vdc
Maximum current	100 mA
Output	NPN, PNP or RS485 ¹

¹Output according to model, each one has only one output type.

Measurements

Range	3-180 km/h
Starting speed	8 km/h
Survival speed	200 km/h
Accuracy	1km/h (3-15 km/h) 3% (15-180Km/h)

General features

Material	PA + FV
Bearings	Stainless steel X65Cr13
Type of connection	Cable: 3x0.75mm ² @Anemo NPN/PNP 4x0.65mm ² @ Anemo RS485 Lenght according to reference.
Weight (without cable)	160 g
Dimensions	125x139 mm
Storage temperature	-35°C +80°C
Working temperature without ice	-20°C +70°C
EMC	EN 61000-6-2:2001 EN 55022:2001, Class B
Protection	IP65 (UNE 20324:1993)

REFERENCES AND ACCESSORIES

References

0103011101	ANEMO4403 V3 NPN OUTPUT 213Hz@100km/h 10m CABLE
0103012201	ANEMO4403 V3 RS485 MODBUS 25m CABLE 9-30Vdc
0103012202	ANEMO4403 V3 RS485 MODBUS 10m CABLE 9-30Vdc

Accessories

0103010505	Stainless steel bracket AISI 304
0103010506 ²	Stainless steel bracket plus hardware for mounting the wind sensor on the bracket
0103010507 ²	Magnets for flat ferromagnetic surfaces. This fixation system can support up to 90 kg
0103010508	2 steel clamps kit that can be fixed to irregular parts measuring up to 63 x 45 mm

² 10 unit minimum order. On sale exclusively with wind sensor.

*For other references, please contact us.



Electronics at the service of Industry



RS485 version



NPN version

ANEMO4403 V3 NPN OUTPUT ANEMO4403 V3 RS485 MODBUS

ANEMO V3 range of IED Electronics.

Wind speed sensor designed for different industries and sectors.

ANEMO4403 V3 DIGITAL OUTPUT is a digital output anemometer, with NPN, PNP and RS485 Modbus versions.

Industrial design for extreme environments
NPN, PNP or RS485 MODBUS digital output
Stainless Steel bearings
Measurement range up to 180 km/h



IED Electronics Solutions S.L.
Pol. Plazaola E 6, 31195 Aizoáin. Navarra (Spain)
www.iedelectronics.com
info@iedelectronics.com



Certificado E201129

APPLICATIONS

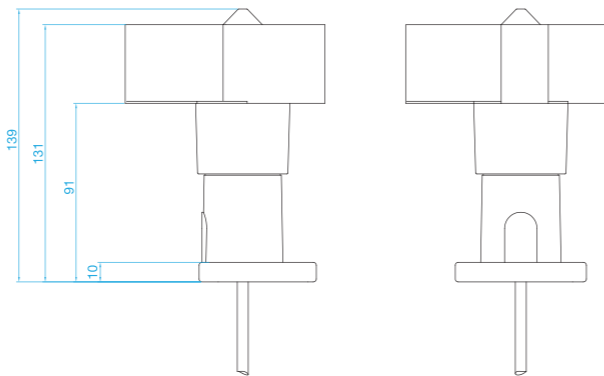
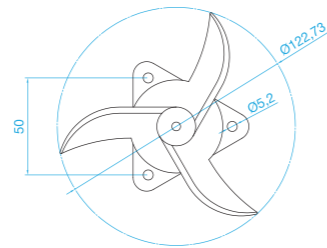
ANEMO4403 V3 DIGITAL OUTPUT has been designed to be used in industrial applications: cranes, solar panels, wind turbines, weather stations, greenhouses, irrigation systems...
It is usually connected to speed sensors such as tachometers (see references WM44-EVO11 V3, WM44-P V3, WM44-DRM V3), PLC's or dataloggers to display the wind speed and/or set alarms to predefined values or to obtain records during predefined periods of time.
The wind sensor must be fixed on a vertical position.

ANEMO4403 V3 NPN/PNP OUTPUT

OPERATING

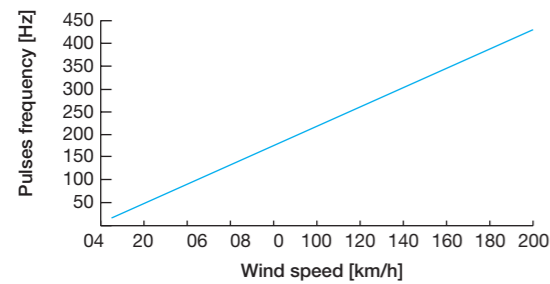
Up to 180 km/h of wind speed.
Output is a NPN square signal proportional to the wind speed.
Under demand it can be PNP output.
The wind sensor must be fixed on a vertical position.

DIMENSIONS

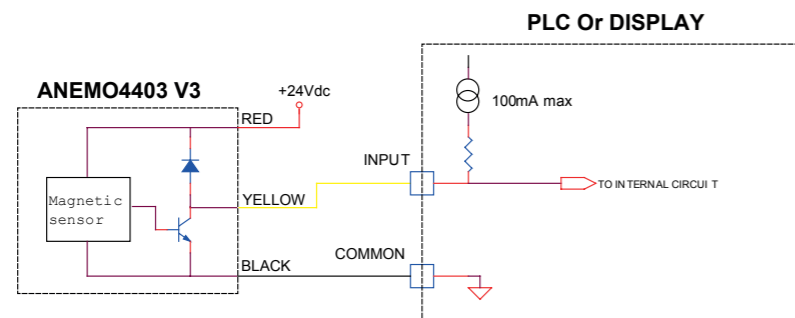


WIND SPEED - OUTPUT RATIO

The wind speed is given by the function:
Wind Speed (Km/h) = Hz/2.13
For other output, please, contact IED.



CONNECTION

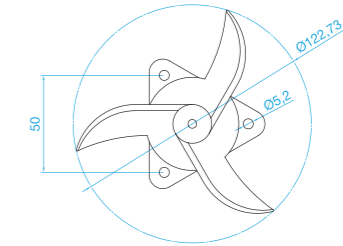


ANEMO4403 V3 RS485 MODBUS

OPERATING

Up to 180 km/h of wind speed.
Output is a RS485 MODBUS RTU communication.
The wind sensor must be fixed on a vertical position.

DIMENSIONS



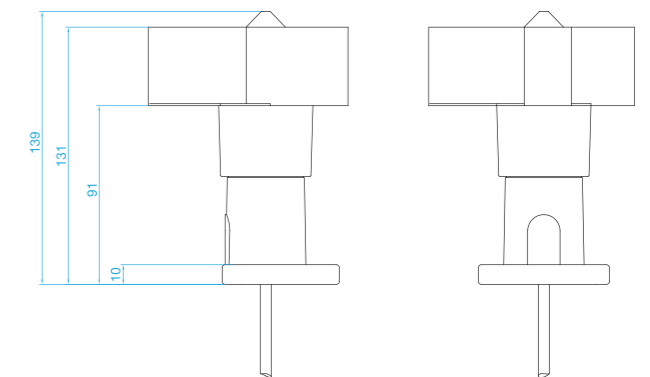
CONNECTION

Unit is provided with a 4x0.65mm cable with 10 or 25 meters length (depending on version).

Wire colors:
VCC: blue
GND: white
A: orange
B: yellow

Termination resistor included (120 Ω)

For no termination resistor version, please, contact us.



PROTOCOL

Data format:
1 start bit, 8 data bits and 1 stop bit. 19200 baudios. Even parity. (For other options, please, contact us)

Protocol type:
MODBUS RTU

Addr	04	00	00	00	01	CRCH	CRCL
------	----	----	----	----	----	------	------

The wind speed is stored in 2 registers: @30001 y @40001. The user can read this value by using any of the 2 available functions (*Read Input Register and Read Holding Register*).

The ANEMO4403 V3 RS485 default address is 244 <=> 0xF4. This value is stored in *Holding Register* @40002 and can be edited by the user. The user can configure any address in the range 1 (0x01) to 255 (0xFF).

For more information, please, see Modbus RS485 19200 Protocol annex.